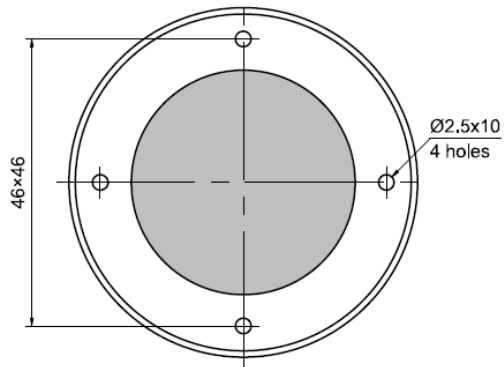
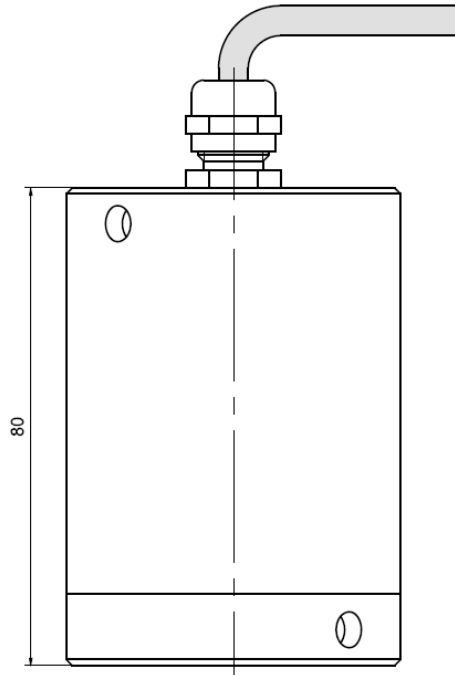
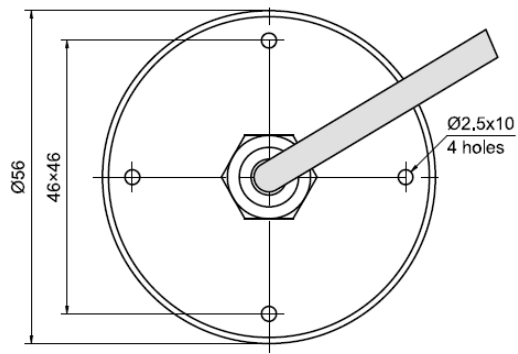


Echologger EU400

Ultra-compact USB connection Echosounder

Specifications

Acoustic Frequency	450 KHz
Beam width	5° Conical (-3dB)
Transmit Pulse Width	10µsec ~ 200µsec (10µsec step)
Ranges	0.15 m ~ 100 m
Housing	ECT400 - Acetal
Connector	USB
Operating Depth	5 m (Cable length dependant)
Repetition (Ping) Rate	10 Hz max
Sampling Rate	100 kHz
Water Column Resolution	>7.5 mm
Altimeter Range Resolution	<1.0 mm
Temperature Resolution	0.1°C
Temperature Accuracy	0.5°C (-10°C ~ +50°C)
Tilt sensor integrated (optional)	
Dual-axis, horizontal operation	±90°
Inclination data accuracy	0.1
Digital Output Interface	USB
Communication Speed	4800 ~ 115200 baud (115200 baud default)
Data Output Format	ASCII TXT, NMEA0183, or user defined (optional)
Configuration and Data reading	Echologger Control Program Or any terminal program
Operation Temperature	-10°C ~ +50°C
Power supply	USB powered, 2W max
Dimensions	D56 mm x L80 mm (without connector)
Weight	420g
Other features	Hypack Compatible (NMEA) GPS integrated data



Features

High Accuracy Hydroacoustic Echosounder

Unique USB Interface

Plug&Play with a notebook PC

Ultra-compact

Compatible with Hypack