
Antennas ANT-26C1GOA-196MNSB



LOW COST L1 GPS+GLONASS ANTENNA



SMALL FORM FACTOR

This small form factor antenna measures <69 mm in diameter by <20 mm in height, accepts an input voltage of 2.5 to 24 VDC and consumes less than 40 mA.

MULTI-CONSTELLATION FOR ENHANCED POSITIONING

The ANT-26C1GOA-196MNSB antenna receives L1 GPS + GLONASS as well as L-Band signals.

SUITABLE FOR USE WITH GLIDE™ APPLICATIONS

This antenna is suitable for use in applications using NovAtel's GLIDE. GLIDE optimally combines L1 code and L1 phase data to produce a positioning solution well suited for applications such as agricultural guidance, where pass-to-pass repeatability is critical.

BENEFITS

- + Receives L1 GPS + GLONASS and L-Band signals
- + Good carrier-phase performance
- + Low cost precision antenna solution for use with OEMStar® and OEM6® receivers

FEATURES

- + Magnetic and screw mounting supported
- + Integrated 4.98 m (196") cable with SMA connector to simplify installation
- + 33 dB low noise amplifier
- + 2.5 to 24 VDC operating voltage
- + RoHS compliant

If you require more information about our antennas, visit www.novatel.com/antennas

ANT-26C1GOA-196MNSB

PERFORMANCE

3 dB Pass Band

L1 GPS	1575.42 ± 15.0 MHz (typ)
L1 GLONASS	1609.0 ± 7.0 MHz (typ)
L-Band	1542.5 ± 14.0 MHz (typ)

LNA Gain 33 dB (typ)

Gain at Zenith (90°)

L1 GPS	+5.0 dBic (min)
L1 GLONASS	>+3.3 dBic (min)
L-Band	+1.9 dBic (min)

Gain Roll-Off (from Zenith to Horizon)

L1 GPS	7 dB
L1 GLONASS	7 dB
L-Band	7 dB

Noise Figure 3.0 dB (typical)

VSWR ≤1.5 : 1

Nominal Impedance 50 Ω

PHYSICAL AND ELECTRICAL

Dimensions 68.81 dia × 19.31 mm

Weight 184 g

Power

Input Voltage +2.5 to +24 VDC

Power Consumption <40 mA

Connector

SMA Male on 4.98 m (196") cable

ENVIRONMENTAL

Temperature

Operating -40°C to +85°C

Storage -55°C to +85°C

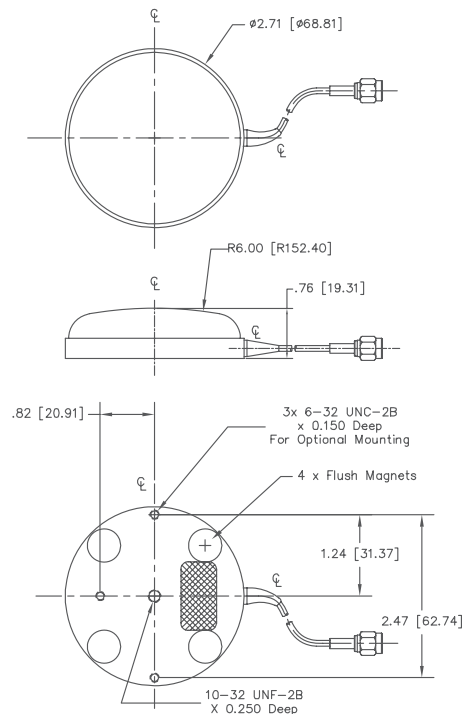
Vibration >30 g

Leakage Hermetically Sealed

RoHS EEU Directive 2011/65/EU

Designed to meet:

MIL-STD-810 and SAE J1455 specifications



For the most recent details of this product:
www.novatel.com/products/gnss-antennas/compact-gnss-antennas/ant-26c1goa-196mnsb/

novatel.com

sales@novatel.com

1-800-NOVATEL (U.S. and Canada)
or 403-295-4900

China 0086-21-68882300

Europe 44-1993-848-736

SE Asia and Australia 61-400-883-601

Version 5 Specifications subject to change without notice.

©2015 NovAtel Inc. All rights reserved.

NovAtel, OEM6 and OEMStar are registered trademarks of NovAtel Inc.

GLIDE is a trademark of NovAtel Inc.

Printed in Canada.

D16916 November 2015

