

HERON® LITE

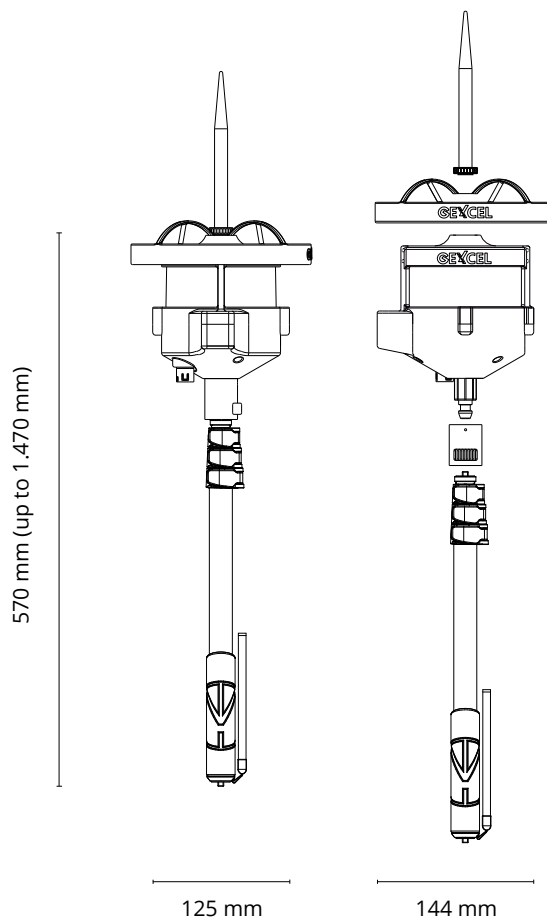
Product Specifications

MAIN FEATURES

Suitable environment	indoor/outdoor
Handheld	yes
Wearable	on request
Mountable on various mobile platforms (auto, trolley, bike, quad, boat)	yes
No. LiDAR sensors	1
Panoramic camera	no
IMU	yes
SLAM post-processing software (HERON® Desktop)	yes
Point cloud advanced processing software (Reconstructor®)	yes
Free tool for 2D map measuring (GoBlueprint®)	yes
Output data	.e57, .las, .ply, export in ReCap™
Points per second	300.000
Local accuracy	~ 3 cm
Max survey resolution	~ 2 cm
Global accuracy	~ 5 cm in short close rings ⁽¹⁾
Loop closure	not mandatory
Works in every light conditions	yes
Initialization and calibration procedures	not required
Single operator	yes
Data storage	256 GB
Working hours (in continuous acquisition)	~ 7 h
Real-time 3D point cloud visualization	yes
Operating temperature	-10° ; +45°
Storage temperature	-40° ; +60°
Rugged cases for storage and transport	yes

TOUCHSCREEN CONTROL UNIT

Processor	i7
Weight	1.4 kg
Dimension	314 x 207 x 24.5 mm
Waterproof protection	IP65
Bracket (weight 282 g)	yes
Screen dimension	11,6" IPS LumiBond 2.0



CAPTURE HEAD

Laser sensor brand and type	Velodyne VLP 16
No. of sensors	1
Laser safety classification	class 1
Laser wave length	903 nm
Laser max range	80-100 m
FOV	360° x 360° ⁽²⁾
IMU	yes
Head weight	870 g
Head dimension	125 x 144 x 160 mm

BATTERY

Model	Lithium lion 12V 4Ah
Weight	450 g
Dimension	176 x 78 x 21.5 mm

HERON® LITE

Product Specifications

ACCESSORIES

Centering tip	available
Protective shield	available
Handheld pole with cables (retracted 41 cm - extended 131 cm weight 322 g)	included
Telescopic pole with cables (retracted 90 cm - extended 200 cm)	available
Telescopic pole with cables (retracted 90 cm - extended 600 cm)	available
Car mount	available
Wearable rugged backpack (dimension 498 x 370 x 190 mm weight 4.5 kg)	available
Wearable light backpack (dimension 460 x 310 x 100 mm weight 1.3 kg)	available

SOFTWARE EQUIPMENT

Reconstructor®	included
Reconstructor® HERON add-on	included
Automatic scans registration	yes
Direct data import	colorized .fls, .zfs, .rxp, .3dd, .x3s, .x3m, .clr, .cl3, .dp, .ixf, .nctri, .txt, .las, .laz, .e57, .ptx, .pts, .asc, .ply, .csv
Point cloud filtering, managing and classifying	yes
Import .ifc BIM format	yes
Import terrestrial laser scanner data	yes
Import UAV data	yes
Import mobile mapping data	yes
Import projects from third parties LiDAR software	RIEGL RiSCAN PRO, Z+F Laser Control (thermal camera included), FARO Scene, TOPCON
ReCap™ export	yes
Cross sections and profiles extraction (.dxf)	yes
Orthophotos & x-ray orthophotos (direct export to AutoCAD™)	yes
Volumes and areas calculation	yes
Mesh creation and manipulation	yes
Verification tool	yes

HERON® Desktop	included
Drift effect reducing (global optimization)	yes
3D local maps algorithm	yes
Use of GNSS coordinates for geolocalization	yes
Split/merge trajectories and point clouds	yes
Automatic post-processing mode	yes
Noise cleaning (attenuation)	yes
Mobile objects removing	yes

GoBlueprint®	FREE TOOL
Volume calculation based on 2D map	yes
2D map measures (linear, angular, area)	yes
Onsite 2D map navigation (the tool can be installed on any portable device)	yes
Easily manage and share deliverables	yes

HERON® Clouds Constraints App	optional
Reconstructor® MINING add-on	optional
Reconstructor® COLOR add-on	optional
Reconstructor® 3D Viewer	FREE TOOL
Orbit 3D Mapping Cloud	optional
Orbit Feature Extraction Suite	optional

(1) The global accuracy depends on the effectiveness of the SLAM registration algorithm, which can be influenced by the geometry of the surveyed environment. Long trajectories in absence of loop closures and cross paths, as narrow tunnels or narrow stairs, can downgrade the global accuracy to 20-50 cm. The patented and unique algorithms present in HERON® Desktop and the use of control scans as constraints can dramatically improve the quality of the result. Gexcel support team is ready to provide more detailed information on this topic.

(2) FOV guaranteed by walking with the system (nominal sensor FOV - horiz. 360° | vert. +15°; -15°).

All the names are registered trademarks. ReCap™ and AutoCAD™ are Autodesk registered trademarks.