

MODEL D/140/H

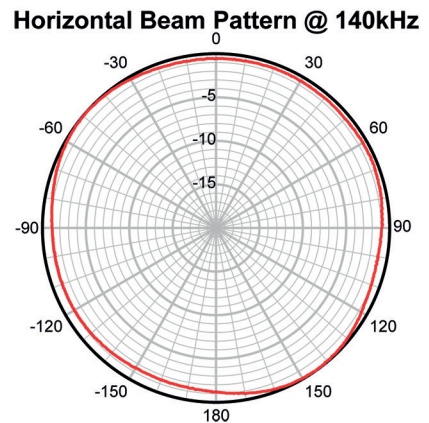
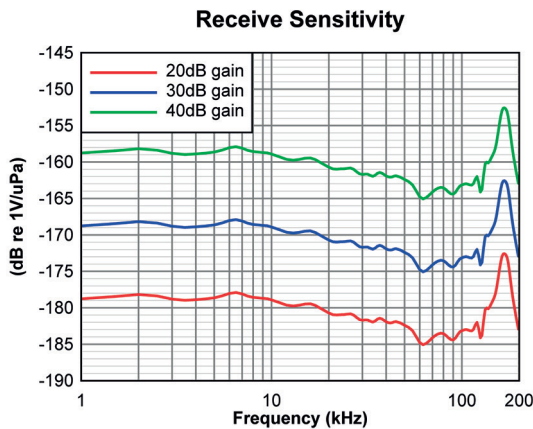


- **INTEGRAL PRE-AMPLIFIER**
- **OMNI-DIRECTIONAL RESPONSE**
- **LOW NOISE PERFORMANCE**
- **BROADBAND OPERATION**
- **MARINE MAMMAL AUDIO SENSOR**
- **MAXIMUM CABLE LENGTH 250 M**

The D/140/H is a true spherical balanced element combined with a low noise differential pre-amplifier. Signals can be transmitted along cable lengths up to 250m, without any degradation. The preamplifier gain options of 20, 30 and 40 dB (pre-set during manufacture) are to suit customer requirements.

A differential to single ended 'Surface Receiver' (Type T400) which includes additional filter and gain settings, can be supplied separately.

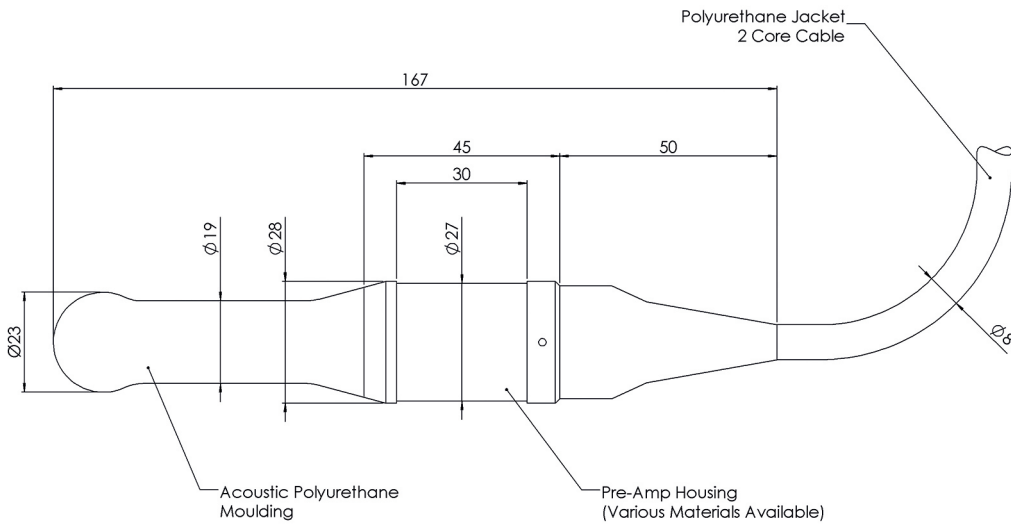
The D/140/H is available with or without acoustic calibration which is traceable to National Standards.



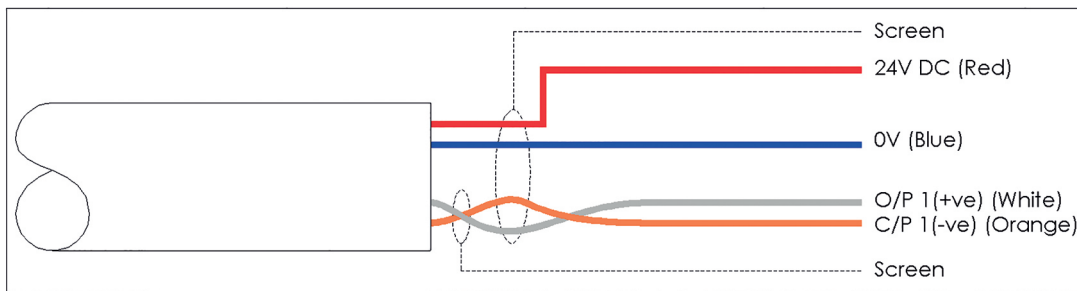
TECHNICAL SPECIFICATION

Resonant Frequency (Nominal)	150 kHz
Usable Frequency Range	10 Hz to 200 kHz
Beam Pattern Horizontal	Omni ±2 dB at 160kHz
Beam Pattern Vertical	240° ±3 dB at 160kHz
Output	Differential, 100Ω Impedance
Receive Sensitivity	-178 dB re 1V/μPa with 20dB gain
Gain is pre-set and cannot be adjusted.	-168 dB re 1V/μPa with 30dB gain
	-158 dB re 1V/μPa with 40dB gain
Power Supply	+20 to +30 Volts dc @ <100mA 25mA quiescent, 100mA (Max)
Noise	<3nV/√Hz RTI

MODEL D/140/H



All dimensions in mm



MECHANICAL SPECIFICATION

Operating Depth	900m Standard (Optional 1500m - may require an export license)
Weight Air/Water (with 10m cable)	0.76 kg / 0.18 kg
Operating Temperature	-5 to +40 °C
Storage Temperature	-40 to +80 °C
Cable Type	Polyurethane $\varnothing 8$ mm Twisted Pair (power) and Screened Twisted Pair (signal)
Cable Length	10 metres standard (Additional lengths supplied to order)
Connector	Not fitted as standard (Souriau type if used with T400 Surface Receiver)