



Power Sensing Solutions for a Better Life

VG380ZA

VERTICAL GYROSCOPE

The MEMSIC VG380ZA is a miniature fully-calibrated Vertical Gyroscope designed for demanding embedded applications that require a complete dynamic measurement solution in a robust low-profile package. The VG380ZA provides a standard SPI bus for cost-effective board-to-board communications.



UAV Flight Control



Uncertified Avionics

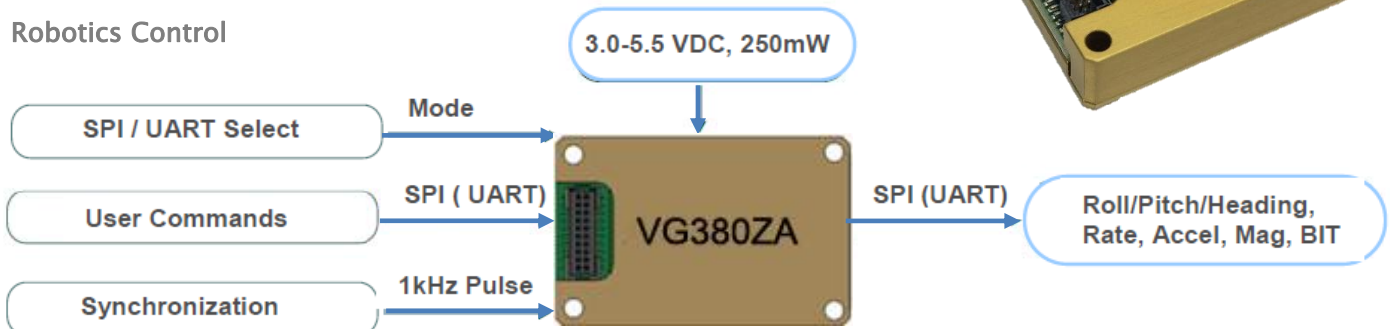
The MEMSIC VG380ZA integrates highly-reliable MEMS 6DOF inertial sensors with extended Kalman filtering in a miniature factory-calibrated module to provide consistent performance through the extreme operating environments in a wide variety of dynamic control and navigation applications.

Applications

- Unmanned Vehicle Control
- Uncertified Avionics
- Platform Stabilization
- Robotics Control

Features

- Complete 6DOF Inertial System
- Roll/Pitch Outputs
- SPI (or UART) Interface
- Update Rate, 1Hz to 200Hz
- 1KHz Clock Sync Input
- Miniature Package, 24 x 37 x 9.5 mm
- Lightweight < 17 g
- Low Power Consumption < 250 mW
- Wide Temp Range, -40C to +85C
- High Reliability, MTBF > 50k hours



VG380ZA

VERTICAL GYROSCOPE

Performance

VG380ZA (-200, -400)

Attitude	
Range: Roll, Pitch (°)	± 180, ± 90
Accuracy (°)	< 0.2 ⁴ , < 1.0 ³
Resolution (°)	< 0.02
Angular Rate	
Range: Roll, Pitch (°/sec)	± 200 (± 400 High Range Model)
Bias Instability (°/hr) ^{1,2}	< 10
Bias Stability Over Temp (°/sec) ²	< 0.1
Resolution (°/sec)	< 0.02
Scale Factor Accuracy (%)	< 0.1
Non-Linearity (%FS)	< 0.1
Angle Random Walk (°/√hr) ²	< 0.75
Bandwidth (Hz)	5-50 (user-configurable)
Acceleration	
Range: X, Y, Z (g)	± 4 (± 8 High Range Model)
Bias Instability (mg) ^{1,2}	< 0.02
Bias Stability Over Temp (mg) ²	< 5
Resolution (mg)	< 0.5
Scale Factor Accuracy (%)	< 0.1
Non-Linearity (%FS)	< 0.1
Velocity Random Walk (m/s/√hr) ²	< 0.05
Bandwidth (Hz)	5-50 (user-configurable)

Specifications

Environment	
Operating Temperature (°C)	-40 to +85
Non-Operating Temperature (°C)	-55 to +105
Enclosure	Aluminum (Gold Anodized)
Electrical	
Input Voltage (VDC)	3.0 to 5.5
Power Consumption (mW)	< 250
Digital Interface	SPI or UART (user-configurable)
Output Data Rate	1Hz to 200Hz (user-configurable)
Input Clock Sync	1kHz Sync Pulse
Physical	
Size (mm)	24.15 x 37.7 x 9.5
Weight (gm)	< 17
Interface Connector	20-Pin (10 x 2) 1.0 mm pitch header

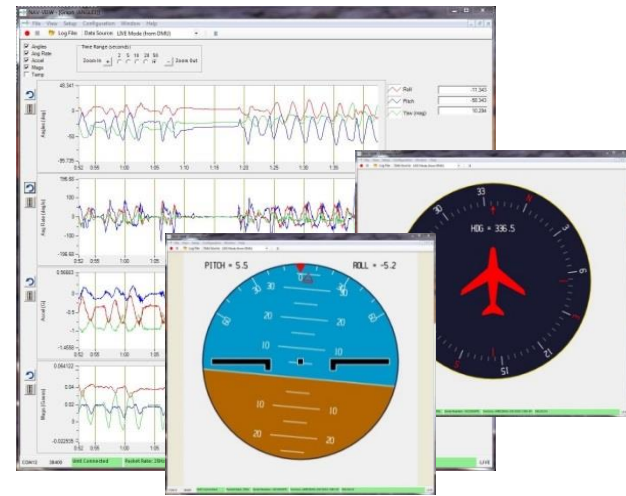
Ordering Information

Model	Description
VG380ZA-200	Vertical Gyroscope (200dps Range)
VG380ZA-400	Vertical Gyroscope (400dps Range)
EVAL-KIT DMU380ZA-200	Evaluation Kit for DMU380 Family (Std Range)
EVAL-KIT DMU380ZA-400	Evaluation kit for DMU380 Family (High Range)

This product has been developed exclusively for commercial applications. It has not been tested for, and makes no representation or warranty as to conformance with, any military specifications or its suitability for any military application or end-use. Additionally, any use of this product for nuclear, chemical or biological weapons, or weapons research, or for any use in missiles, rockets, and/or UAV's of 300km or greater range, or any other activity prohibited by the Export Administration Regulations, is expressly prohibited without the written consent and without obtaining appropriate US export license(s) when required by US law. Diversion contrary to U.S. law is prohibited. Specifications are subject to change without notice.

¹ Allan Variance Curve, constant temperature. ² 1-sigma error. ³ RMS error under all dynamics.

⁴ RMS error under static conditions over full temperature range.



NAV-VIEW provides an easy to use graphical interface to display, record, playback, and analyze all of the VG380ZA Attitude Reference System parameters.

NAV-VIEW can also be used to set a wide range of user-configurable fields in the VG380ZA to optimize the system performance for highly dynamic applications.

Other Components

The DMU380ZA evaluation kits include an VG380ZA, evaluation board, and USB cable allowing direct connection to a PC for use with NAV-VIEW display and configuration software.

Support

For more detailed information please refer to the DMU380ZA Series User's Manual available online at:

www.memsic.com/support

Phone: 669.266.7441

Fax: 408.428.9428

E-mail: info@memsic.com

www.memsic.com

Document P/N: 6020-3813-01