



## Key Features

- 60MHz Bandwidth Coverage 410-470 MHz bands**  
 Advanced data link design for high performance over entire band.
- Multi-function user interface**  
 It was designed for easy mobile use in demand-ing field conditions.
- Configurable Transmit Power**  
 Support for 5W,10W power switching.
- Heavy-Duty construction**  
 All metal construction for the ultimate in impact.
- High environmental Capabilities**  
 Waterproof to IP67  
 High vibration tolerance  
 Wide temperature range

## Base Radio HX-DU8609T

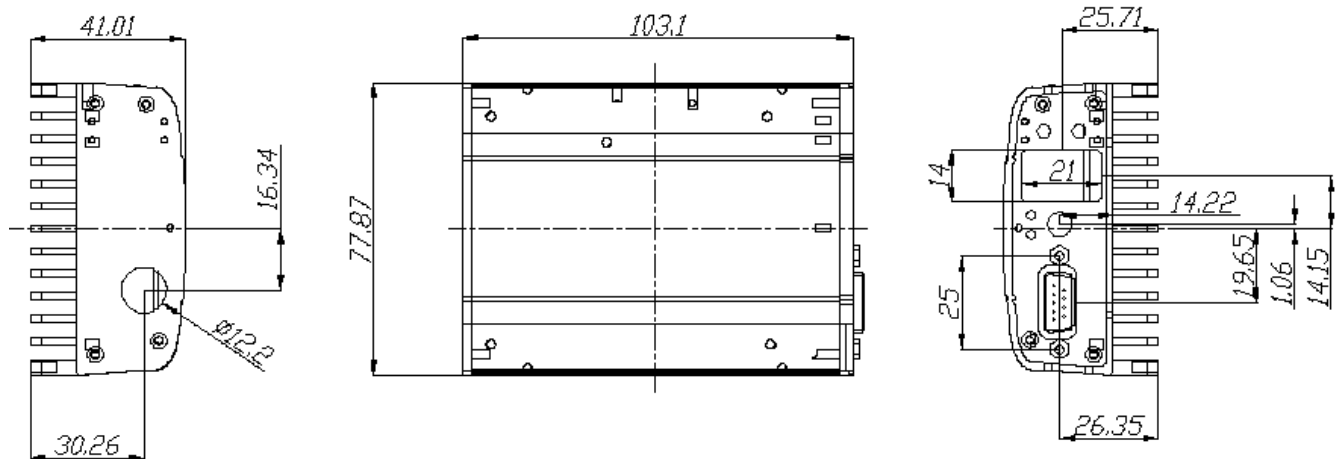
Harxon radio modems provide reliable data communications for mission-critical applications where a combination of stability, supreme performance and long range are required.

The HX-DU8609T is a lightweight, ruggedized UHF receiver designed for digital radio communications between 410 and 470 MHz in 25 kHz channels, which can be widely used in Traffic monitoring and control, differential GPS navigation, water and wastewater management, irrigation control, oil and gas field monitoring and security system management. This radio's 10W of power maximize range, enabling you to work in difficult urban areas. The HX-DUDU8609T is equipped with digital tube, LED and keypad, used to indicate the current operating status, as well as for changing the operating channel and power level of the radio modem, which is easy to operate and use.

# Technical Specifications

Radio		
Frequency range	410~470MHz	
Operating mode	Simplex	
Channel spacing	12.5KHz,25KHz	
Channels	8	
Modulation type	GMSK	
Operation voltage	12V	
Power dissipation(Typical)	High power level	10W@ DC 12V
	Low power level	5W@ DC 12V
	Standby	600mW@ DC 12V
Frequency stability	$\leq \pm 1.0\text{ppm}$	
Size	103x78x41mm	
Weight	About 345g	
Temperature(ope ration)	$-30^{\circ}\text{C} \sim +60^{\circ}\text{C}$	
Temperature(stor age)	$-55^{\circ}\text{C} \sim +85^{\circ}\text{C}$	

Antenna port	TNC, female	
Antenna impedance	50ohm	
Data interface	DB9	
Transmitter		
RF output power	High level (10W)	$40 \pm 0.8\text{dBm@ DC 12V}$
	Low level (5W)	$37 \pm 0.8\text{dBm@ DC 12V}$
Emission current	$< 2.8\text{A}$	
Receiver		
Sensitivity	$-115\text{dBm@BER 10-3, 9600bps}$	
Adjacent channel selectivity	$> 50\text{dB@25KHz}$	
Modem		
Air baud rate	9600bps	
Modulation type	GMSK	
Serial port baud rate	9600 bps、19200 bps	



Dimension (mm)

## Harxon Corporation

[www.harxon.com](http://www.harxon.com)  
 ✉ [sales@harxon.com](mailto:sales@harxon.com)  
 Tel: +86 0755-26989948  
 Fax: +86 0755-26989994



HARXON AUTHORIZED DISTRIBUTION PARTNER